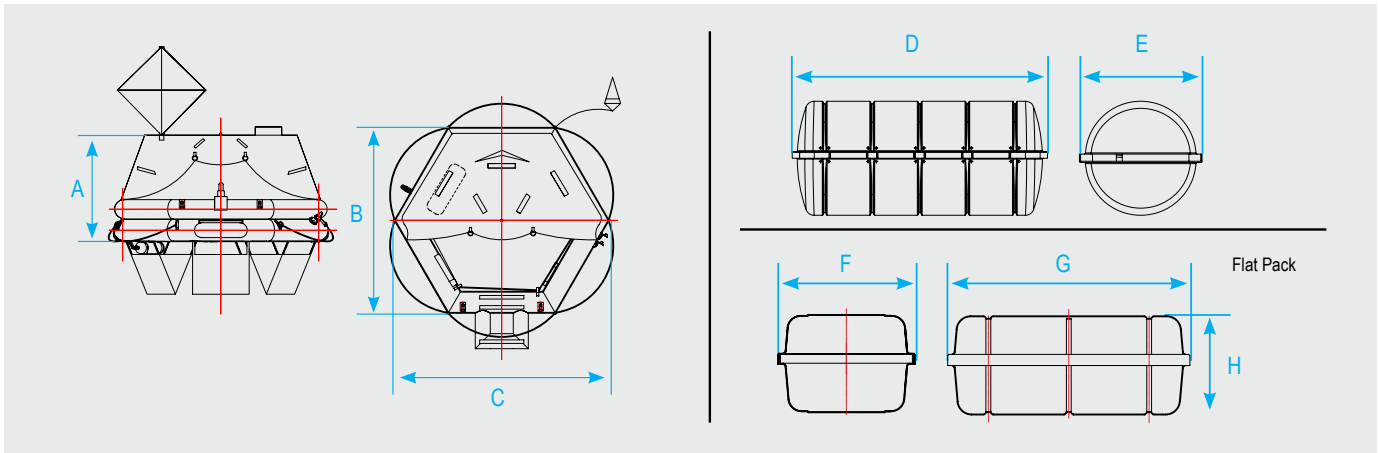


SOLAS / MED APPROVED



Flat Pack

6, 8, 10, 12, 15 & 16 Persons



Code	Persons	Pack	Dimensions (mm)								Cradle Dimensions (mm)
			A	B	C	D	E	F	G	H	
79867	6	A	1200	2104	2104	1090	615	-	-	-	600 x 560
79903		B				1045	545	-	-	-	
79868	8	A	1250	2390	2390	1090	615	-	-	-	
79880		Flat - A				-	-	564	994	405	-
79904		B				1045	545	-	-	-	
79869	10	A	1400	2694	2694	1230	630	-	-	-	600 x 560
79905		B				1090	615	-	-	-	
79870	12	A	1500	2924	2924	1230	630	-	-	-	
79882		Flat - A				-	-	664	1044	405	-
79906		B				1090	615	-	-	-	600 x 560
79871	16	A	1600	3330	3330	1285	670	-	-	-	600 x 660
79907		B				1230	645	-	-	-	600 x 560



0098

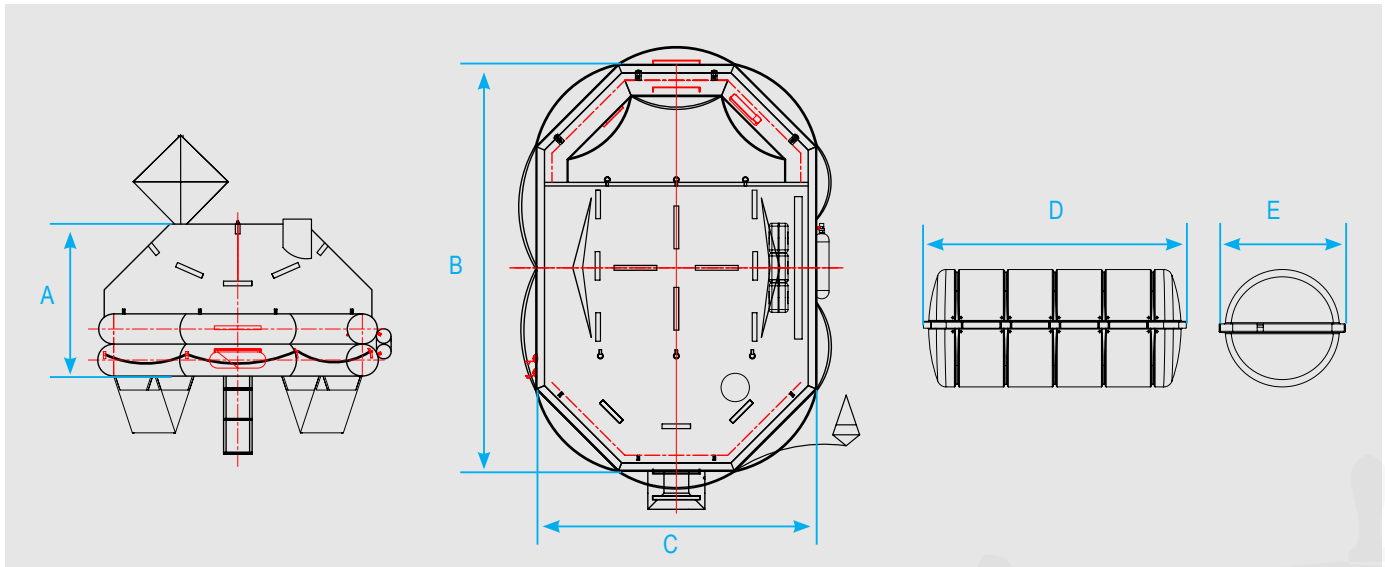


THROW OVERBOARD LIFE RAFT

SOLAS / MED APPROVED



20, 25, 30 & 35 Persons



0098



Code	Persons	Pack	Dimensions (mm)					Cradle Dimensions (mm)
			A	B	C	D	E	
79873	20	A	1600	4304	2974	1335	696	600 x 660
79909		B				1285	670	600 x 560
79874	25	A	1650	4894	3194	1490	757	1000 x 710
79910		B				1335	696	600 x 660
79875	30	A	1700	5384	3414	1700	765	1000 x 710
79911		B				1490	757	600 x 660
79876	35	A	1750	5899	3568	1700	765	1000 x 710
79912		B				1490	757	600 x 660

THROW OVERBOARD LIFE RAFT